



# EJC 10/12

## Electric Pedestrian Operated Stacker (1000/1200 Kg.)



- MOSFET programmable step less speed controller, with diagnostic feature and heavy duty contractors.
- Enhanced safety with dual speed operation (optional).
- High visibility mast for trouble free operation.

The Josts electric pedestrian stacker, type EJC, has been designed especially for flexible handling of palletized loads for increased performance at great lift heights, high residual capacities as well as long usage times.

**Operator Area:** The low hinged handle provides greater maneuverability. Further, the enclosed design feature, toe guard, safety and emergency stop buttons along with the corner mounted steering tiller head provides good visibility to the operator.

**Drive:** Powerful 1 Kw high performance SERIES/SEPEX motor of 1 hour rating with high over load capacity efficiently drives a low noise, two stage compact vertical gear unit mounted directly on to the drive wheel.

**Drive Control:** Microprocessor based MOSFET controller provides control of speed, acceleration and fault diagnostic information quickly and easily. The high life cycle contractors used in the controller circuit enhances dependability and productivity. The controller can also enable dual setting for different speed limits in SEPEX drive motor (optional).

**Chassis:** Robust Construction and the stable 4 point contact design permits high residual capacities and enhanced stability during turning. The rounded enclosed contours permits safe maneuvering in confined spaces.

**Wheels:** All wheels (Drive wheel Ø230x85 mm wide, load wheels Ø85x75mm wide support castors Ø150x50mm wide) are made of polyurethane material as standard. These enable noiseless smooth ride over bumps and gaps on a variety of surfaces withstanding impact loads causing less damage to expensive flooring.

**Tiller Head:** Multi function tiller head with ergonomically arranged operating elements for travel lift, lowering and horn provides highest operator comfort and safety. It also has a belly button that provides additional safety in case of emergencies.



**Steering:** The tiller control handle configuration enables effortless steering. Steering lock at 90° on either side can be operated only in limited range of handle inclinations comfortable to operator providing operational safety.

**Brake:** Electro-magnetic disc brake with hard wearing, asbestos free liner provides instantaneous braking. When the handle is close to vertical or horizontal position, the brake becomes operational with simultaneous power cut-off.

**Hydraulics:** Compact power pack unit with high pressure pump driven by 2.2 Kw sturdy compound wound motor forms the heart of hydraulic system that enables smooth and efficient lifting and lowering operations to various stacking heights. The operator can run the lifting/lowering push button on control head without leaving the usual driving position.



**High Visibility Mast:** The truck is fitted with a two stage mast (PT) as a standard to provide excellent visibility of the load carriage/fork during all operations. The mast cylinders are arranged centrally in EJC10 and on the side for EJC12.

**Carriage & Forks:** Robust steel fabricated carriage with welded forks ensures durable service. The individual moving components like pulley, chain and bearings are accurately selected, manufactured and fitted for trouble free performance. The bearings in the carriage assembly and the inner masts enable jerk free smooth vertical movements ensuring safe and stable lift of the load. Various options of fork lengths and width over forks along with tapered fork ends provides better control while moving in confined areas and entering to pallets.

**Safety:** The truck is equipped with lowering brake valve for cushioned lowering, automatic lift cut off at 80% battery discharge condition and



anti-collision switch on tiller head for enhanced safety. The hydraulic circuit has safety features like hose burst valve, pressure relief valves and non return valves. The controller can also be set for dual travel speed limit (optional) for creep speed setting while stacking and retrieving.

**Servicing:** The modular service friendly design with easily removable front cover provides easy access to all components for servicing thus saving valuable time during maintenance.

**Battery:** 24V/165 Ah (standard) or 195 Ah (Optional) traction batteries ensure steady power supply and trouble free operations with proper battery maintenance.

**Charger:** 24V/28Amp microprocessor controlled charger or timer controlled charger can be provided as per customer requirement.



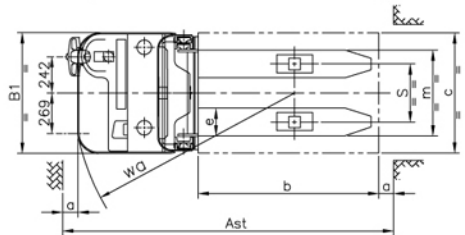
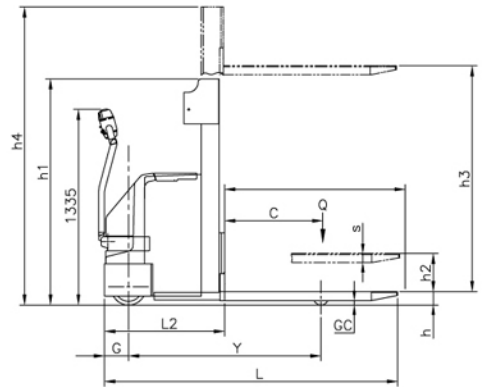
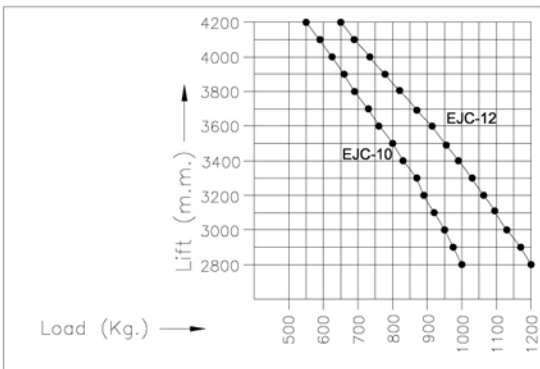
# EJC 10/12

## Performance data

|  |        |      |      |
|--|--------|------|------|
| Capacity   | Kg =   | 1000 | 1200 |
| Travel speed without load<br>With rated load               | Km/h = | 6.0  | 5.7  |
|  | Km/h = | 5.2  | 5.2  |
| Lifting speed with PT mast<br>Without load With ted load   | Cm/s = | 13   | 13   |
|  | Cm/s = | 9    | 8    |
| Max. gradient performance<br>Without load With rated load  | % =    | 16   | 16   |
|  | % =    | 8    | 7    |
| Service weight with PT mast<br>and 165 Ah traction battery | Kg =   | 935  | 955  |

## Technical data

|  |    |      |      |
|--|----|------|------|
| Q - Capacity   | Kg | 1000 | 1200 |
| C - Load centre                                      | mm | 600  | 600  |
| Y - Wheel base                                       | mm | 1280 | 1280 |
| B <sub>1</sub> - Overall width                       | mm | 802  | 802  |
| L <sub>2</sub> - Length to fork upright with PT mast | mm | 800  | 800  |
| L - Truck length                                     | mm | 1950 | 1950 |
| m - Width over forks                                 | mm | 570  | 570  |
| e - Fork width                                       | mm | 185  | 185  |
| h - Lower height                                     | mm | 90   | 90   |
| s - Fork thickness                                   | mm | 60   | 60   |
| Wa - Turning radius during manoeuring                | mm | 1480 | 1480 |
| l - Standard fork length                             | mm | 1150 | 1150 |
| a - safety clearance                                 | mm | 100  | 100  |
| S - Load wheel track                                 | mm | 385  | 385  |
| G - Front over hang                                  | mm | 160  | 160  |
| G <sub>c</sub> - Straddle ground clearance           | mm | 30   | 30   |



- h1 Closed mast height
- h2 Normal free lift
- h3 Lift
- h4 Extended mast height

| Standard Mast Designs (mm) |      |     |      |                 |      |      |  |
|----------------------------|------|-----|------|-----------------|------|------|--|
| 2-Stage Mast PT            |      |     |      | 1-Stage Mast SX |      |      |  |
| EJC 10/12                  |      |     |      | EJC 10/12       |      |      |  |
| h1                         | h3   | h2  | h4   | h1              | h3   | h4   |  |
| 1930                       | 2800 | 100 | 3285 | 1300            | 800  | 1300 |  |
| 2280                       | 3500 | 100 | 3985 | 1900            | 1400 | 1900 |  |
| 2630                       | 4200 | 100 | 4685 | 2000            | 1500 | 2000 |  |

Note: Non standard lift height can be available on request

| Working Aisle Width Ast (mm) |            |                                   |
|------------------------------|------------|-----------------------------------|
| Pallet size c X b            | Position   | Ast* incl. 200mm Safety Clearance |
| 800 X 1200                   | lengthways | 2320                              |
| 1000 X 1200                  | lengthways | 2360                              |

Dimensions and Specifications indicated here are subject to variation of  $\pm 10\%$  Right to make changes and technical improvements reserved



Jost's Engineering Company Limited

HO : 60 Sir Phirozeshah Mehta Road Mumbai 400 001,  
Phone: 22661150, Fax: 22661951 E-mail: jostsho@josts.in, Web site: www.josts.com

Sales Offices : C-7 Wagle Industrial Estate Road 12, Thane 400 604,  
Phone : 25821727/46/48/2083, Fax : 25823478, E-mail: infomhe@josts.in

Bengaluru: 080-22263707, Vadodara: 0265-22351642, Chennai : 044-26268536,  
Kolkata 033-22429510, New Delhi : 011- 45676000, Pune: 020-25436601,  
Secunderabad : 040-27714934.