

ERD 20 / EJD 20

(AC / DC Drive)

Electric Double Pallet Truck /
Stacker

(Capacity 2000 Kg.)



- Available with options of DC as well as AC drives.
- MOSFET programmable stepless speed controller.
- Versatile : Double deck loading or Pallet Truck / Stacker operation.
- Multifunction Tiller Head with enhanced safety.
- Unique Linkage mechanism to provide jerk free lift of loaded pallet.

The Josts ERD/ EJD electric double pallet truck / stacker is extremely versatile when it comes to handling two loads simultaneously. A specialist in double deck loading / unloading, it is equally efficient in transporting over long distances, stacking / retrieving loads and block stacking. The ERD is ideally suited to both pedestrian and ride-on operation. When compared with simple pedestrian models, ERD can provide higher throughput achieved with higher speed on stand-on mode, thus the goods can be cost effectively transported. In double deck mode two pallets each containing 1000 kg can be transported on top of each other enhancing the productivity further. Josts can also offer a suitable walk behind pedestrian operated EJD model for double pallet handling where the ride-on feature is not designed. **Josts Double Pallet Truck / Stackers with AC technology provides additional advantage of reduced maintenance, improved power utilisation and improved battery life.**

Operator Area: The stand-on foldable platform of ERD provides excellent comfort and safety. The dampening spring mechanism provides the required cushioning effect that "swallows" the bumps on the surface. The rubberized anti-skid mat provides good grip on stand-on mode enhancing the safety. Emergency stop button provides maximum safety for the operator.

Drive : Powerful 1.5 Kw high performance DC / AC motor of 1 hour rating with high over load capacity efficiently drives a low noise, two stage compact gear unit mounted directly on to the drive wheel.

Drive Control : Microprocessor based MOSFET controller provide smooth and stepless control of speed and acceleration. It also helps in obtaining fault diagnostic information quickly and easily. The high life cycle contactors used in the controller circuit enhances dependability and productivity. The controller can also enable dual setting for different speed limits in pedestrian as well as stand-on mode (optional).

Chassis : Robust Construction and the stable five point contact design enhances stability during turning. The rounded enclosed contours permits safe maneuvering in confined spaces. The battery holding compartment in the chassis is provided with suitable roller bed for easy removal of the battery.

Wheels : All wheels are made of polyurethane material as standard. These enable noiseless smooth ride over variety of surfaces and cause less damage to expensive flooring. These also have better ability to withstand impact loads while rolling over bumps on the surfaces. The tandem load wheel configuration ensures smooth roll over with continuous contact on the floor and enables easy negotiation over small bumps without jerk. These also enable easy entry into closed pallets.

Tiller Head : Multi-function tiller head with ergonomically arranged operating elements for travel, lifts, lowering and horn at finger tips provide highest operator comfort and safety. It also has a belly button that provides additional safety in case of emergencies.

Steering : The tiller control handle configuration enable easy and effortless steering in both stand-on as well as pedestrian mode. Steering lock at 90° on either side and can be operated only in limited range of handle inclinations comfortable to operator. This provides additional operational safety.

Brake : Electro-magnetic disc brake with hard wearing, asbestos free liner provides quick braking. When the handle is close to vertical or horizontal position, the brake becomes operational with simultaneous power cut-off.

Hydraulics : Compact power pack unit with high pressure pump driven by 2.2 Kw sturdy compound wound motor forms the heart of hydraulic system which enables smooth and efficient lifting and lowering operations to various stacking heights. It also operates the lifting mechanism comprising of a low lift hydraulic cylinder and load wheel linkages to provide the required ground clearance for the bottom load.

Mast : The truck is fitted with two stage mast that can provide lift up to 2400 mm. The mast section are rolled from quality steel with smooth and straight rolling surface.

Carriage & Forks : The truck comprises of two set of forks for double deck handling. The upper fork is of one ton capacity used for lifting the pallet up to 2400 mm. These forks are welded to a robust steel fabricated carriage which moves inside the mast. The individual moving components of the mast assembly like pulley, chain and bearings are accurately selected, manufactured and fitted for trouble free performance. The bearings in the carriage assembly and the inner masts enable jerk free smooth vertical movements ensuring safe and stable lift of the load. The bottom forks are of robust steel fabricated structure with a capacity of 2000 kg supported underneath by load wheel link mechanism.

Safety : The truck is equipped with lowering brake valve for gradual lowering, automatic lift cut off at 80% battery discharge condition for enhanced safety, emergency power cut-off switch on chassis panel and anti-collision switch on tiller head. The hydraulic circuit has safety feature like hose burst valve, pressure relief valves and non return valves.

Servicing : The modular service friendly design with easily removable front cover provides easy access to all components for servicing thus saving valuable time during maintenance.

Battery : 24V / 195Ah (standard) or 330Ah (optional) traction battery to ensure steady power supply and trouble free operations with trouble free battery maintenance.

Charger : 24V / 28Amp automatic charger (standard) or 24V / 28Amp semi-automatic charger (optional) for 195Ah battery. 24V / 42Amp automatic charger (standard) or 24 / 42Amp semi-automatic charger (optional) for 330Ah battery can be provided as per customer requirement.

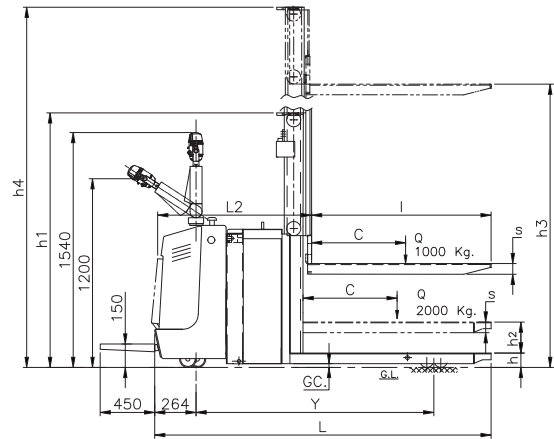
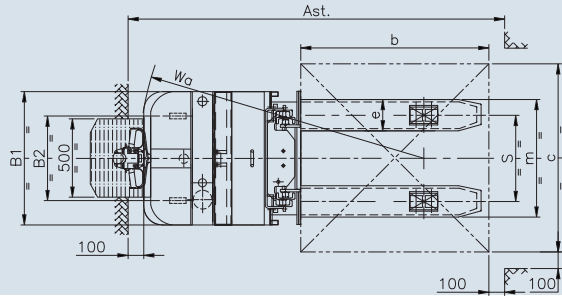
ERD 20 / EJD 20 (AC / DC Drive)

Electric Double Pallet Truck / Stacker (Capacity 2000 Kg)

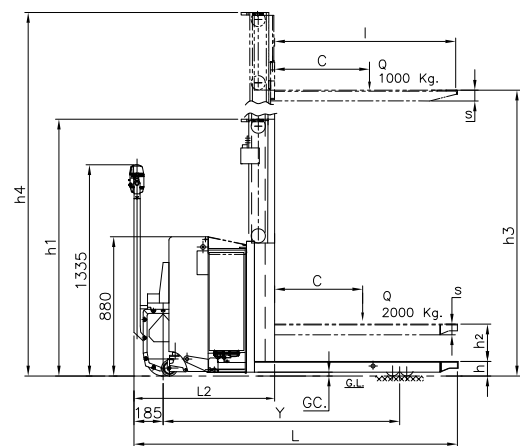
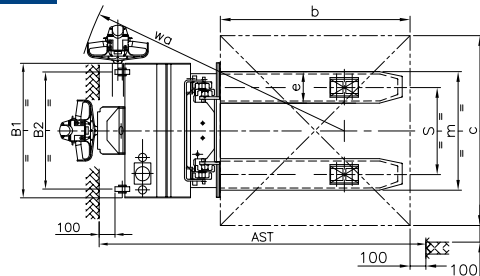
Performance Data

Model		ERD 20		EJD 20		
Identification	Drive type	DC	AC	DC	AC	
	Operator type	Ride-on		Pedestrian		
	Residual capacity lift	Q = Kg.	1000	1000		
	Load capacity mast lift	Q = Kg.	1000	1000		
	Load capacity support arm lift	Q = Kg.	2000	2000		
	Load center for rated capacity	c = mm	600	600		
Weights	Wheelbase	Y = mm	1520	1450		
	Battery weight	Kg.	210	210		
Wheels, Chassis	Service weight incl. Battery	Kg.	950	900		
	Tyres		Polyurethane	Polyurethane		
	Load wheel	mm	Ø85 x 75W	Ø85 x 75W		
	Side support wheel	mm	Ø150 x 50W	Ø100 x 50W		
	Drive wheel	mm	Ø200 x 85W	Ø200 x 85W		
	Wheels, number front / rear (x=driven wheels)	nos.	1 x +2/4	1 x +2/4		
	Load wheel track rear	B2 = mm	606	670		
	Load wheel track front	S = mm	370 / 470 / 550	370 / 470 / 550		
	Basic Dimensions	Lift (standard mast)	h3 = mm	1590 / 2490	1590 / 2490	
		Closed mast height	h1 = mm	1335 / 1785	1335 / 1785	
Height, mast extended		h4 = mm	2050 / 2950	2050 / 2950		
Initial lift		h2 = mm	125	125		
Height lowered		h = mm	90	90		
Length of fork		L2 = mm	1040	900		
Truck length		L = mm	2200	2050		
Width over forks		m = mm	570 / 670 / 750	570 / 670 / 750		
Overall Width		B1 = mm	850	850		
Fork dimensions mast lift		s/e/l = mm	65 / 200 / 1150	65 / 200 / 1150		
Fork dimensions arm lift		s/e/l = mm	60 / 160 / 1100	60 / 160 / 1100		
Ground clearance, center of wheel base		GC = mm	25	25		
Ast. width for 1000 x 1200 cross / length ways		c x b = mm	2420 / 2430	2300 / 2300		
Turning radius	Wa = mm	1830	1690			
Performance	Travel speed, laden	Max. km/h	4	4.5	3	3.5
	Travel speed, unladen	Max. km/h	5	5.5	4	4.5
	Lift speed, laden / unladen	m / s	0.10 / 0.13	0.10 / 0.13		
	Gradient performance, laden / unladen	Max. %	8% / 16%	8% / 16%		
Power	Service brake		Electro-magnetic	Electro-magnetic		
	Drive motor rating S2 60 min.	Kw	1.5	1.5		
	Lift motor rating S3 15%	Kw	2.2	2.2		
	Battery voltage, nominal capacity	V / Ah	24 / 195	24 / 195		
	Battery charger (Automatic)	V / A	24 / 28	24 / 28		
Others	Battery weight	Kg.	210	210		
	Type of drive control		DC	AC	DC	AC
	Sound level	db (A)	70	65	70	65

ERD 20



EJD 20



• For any special requirement, please contact Jost's marketing department. • Dimensions indicated here are subject to variations of ± 20% and performance within ± 10%. • Right to make changes and technical improvement reserved.

Jost's Engineering Company Limited

C-7 Wagle Industrial Estate, Road No. 12, Thane - 400 604. Maharashtra. INDIA.
T.: +91.22.6117 4000 / 2582 1727 F.: +91.22.6117 4020 E.: infomhe@josts.in

Bengaluru : +91.80.2226 3707 / 22263708 **Chennai** : +91.44. 2626 8536 / 2628 8407
Delhi : +91.11.4567 6000 / 14 **Kolkata** : +91.33.2242 9510 / 4008 1242 **Pune** : +91.20.2543 4350 / 90
Secunderabad : +91.40.2771 4934 / 44 / 54 **Vadodara** : +91.265.2351 642