

Josts

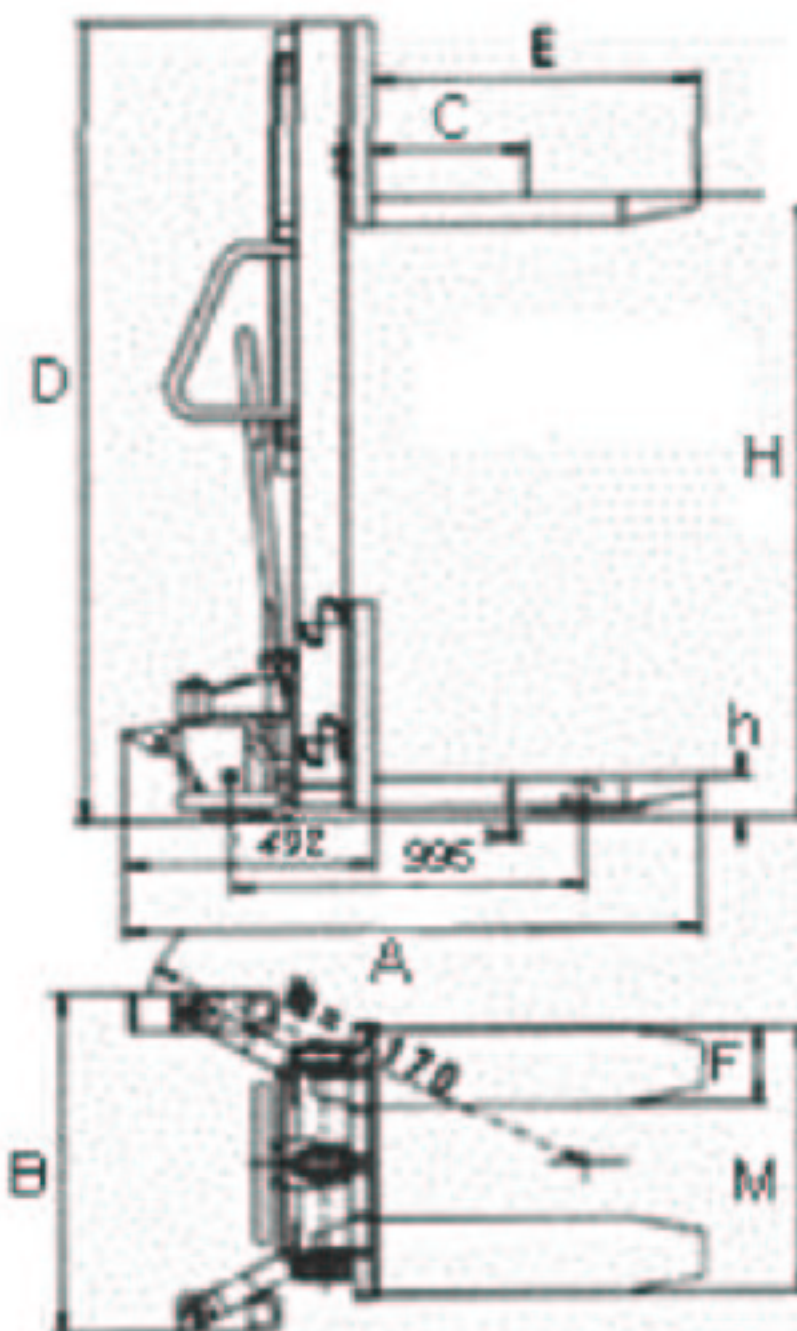
MHS 1030

Manual Hand Stacker



- Latest Technology of Hydraulic Pump
- Special light mast
- Saves time and manpower
- Light and easier to handle, ensures stability of operation.

Capacity	kg	1000
C Load Center	mm	575
H Max. fork height	mm	3000
h Lowered Fork Height	mm	85
M Width Across Forks	mm	550
F Fork Width	mm	160
E Fork Length	mm	1150
A Overall Length	mm	1668
D Overall Height	mm	2060
B Overall Width	mm	740
X Ground Clearance	mm	25
Load Wheel	mm	φ74x70
Drive Wheel	mm	φ180x50
Self Weight	kg	310



Manufactured by :

* Materials and specifications are subject to change

Josts

Jost's Engineering Company Limited

C-7, Wagle Industrial Estate, Road No. 12, Thane - 400 604, Tel. :+91 22 2582 1727, 2582 1746, 2582 1748, 2582 2083, Fax:+91 22 2582 3478, E-mail: jostfact@josts.in

Bengaluru: 080-22263707, Chennai: 044-26268536, Kolkata: 033-22482257, New Delhi: 011-45676000
Pune: 020-25434350, Secunderabad: 040-27714934, Vadodara: 0265-2351642,