

Josts

AM2200

**Hand Pallet Truck (2200 Kg)
Make Jungheinrich Germany**



- Fast lift as standard
- Only 5 Pump strokes to maximum lift height
- Unique operating element
- Exceptionally quiet operation
- Short and manoeuvrable
- Robust and durable

The hand pallet truck AM 2200 is an ideal "storage aid" for all manual transport tasks over short distances. Here all its advantages are effectively utilised.

Easy to handle : The convenient operating lever is ideally suitable for both left and right handers. Exceptionally sensitive or proportioned lowering valve. The standard fast lift ensures groundclear lifting of Euro pallets with only three pump actions. The maximum lift height is reached after only five pump actions.



The operating element can be used from any position

Shorter and manoeuvrable :

The significantly reduced front length ensures excellent manoeuvrability even in confined spaces.

Effortless and simple :

The further optimised hydraulic system reduces the required pumping action. Ball bearing wheels reduce the required tractive power. Effortless and safe manoeuvring with one hand on the tiller head.



Maintenance-free hydraulics

Maintenance-free and quiet : The enclosed wheels and Telfoncoated joints are proven through their particularly quiet operation and maintenance-free application.



Permanently lubricated connections for maintenance-free operation

Accurate and safe : For crossways pallet pick-up, the embossed marking indicates the exact, safe pallet position.

Robust and durable : Stronger forks. Welded tiller mounting. Protected entry rollers. Strengthened steel. The best Preconditions for maximum stability and durability. 2200 kg capacity for the basic version and more than 30,000 lifts speaks for themselves.*

* (Under testing Conditions)



Rounded fork tips for easier pallet entry.

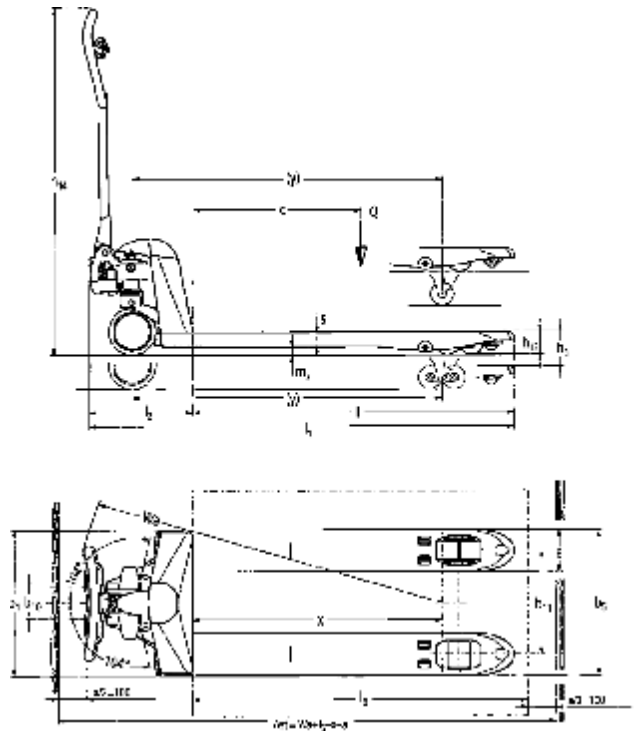


**BUREAU
VERITAS**

Technical Data

Identification	1.1	Manufacturer (abbreviation)			
	1.2	Manufacturer's type designation		AM 2200	
	1.4	Type of operation: hand, pedestrian, standing, seated, order-picker		manual	
	1.5	Load capacity/ rated load	Q (t)	2200	
	1.6	Load center distance	c (mm)	600	
	1.8	Load distance, center of drive axle to fork	x (mm)	890	
	1.9	Wheelbase	y (mm)	1110	
	Weights	2.1	Service weight	kg	58
		2.3	Axle loading, unladen front/rear	kg	38/20
3.1		Types: soild rubber, superelastic pneumatic plyurethane		C; V; N	
Wheel, Chassis	3.2	Types size, front		170	
	3.3	Types size, rear		82x96/82x62	
	3.5	Wheels, number front/ rear (x=driven wheel)		2/2 or 2/4	
	3.6	Track with, front	b_{10} (mm)	109	
	3.7	Track with, rear	b_{11} (mm)	370	
	Basic Dimensions	4.4	Lift height	h_3 (mm)	122
		4.9	Height of tiller in drive position min./ max.	h_{14} (mm)	1234
		4.14	Standing height, elevated	h_{12} (mm)	205
		4.15	Lowered height	h_{13} (mm)	83
		4.19	Overall length	l_1 (mm)	1520
4.20		Length of face of forks	l_2 (mm)	373	
4.21		Overall width	b_1/b_2 (mm)	520/680	
4.22		Forks dimension	s/e/l (mm)	53/150/1150	
4.25		width over forks	b_5 (mm)	520/680	
4.32		Ground clearance	m_2 (mm)	30	
4.33		Aisle width for pallets 1000x1200 crossways	A_{st} (mm)	1584	
4.34		Aisle width for pallets 800x1200 lengthways	A_{st} (mm)	1784	
4.35		Turning radius	Wa (mm)	1274	
Performance Data	5.3	Lowering speed, laden/unladen	m/s	0.09/0.02	

AM2200



Authorised Dealer

Jungheinrich
Aktiengesellschaft
 Friedrich-Ebert-Damm 129
 22047 Hamburg
 Telephone + 49 40 6948-0
 Telefax + 49 40 6948-3604

ISO-9001, ISO-14001-
 Certification of Quality and
 Environment Management.

Jungheinrich trucks
 conform to the European
 Safety Requirement.



Josts

Manufactured under by JUNGHEINRICH Aktiengesellschaft, Germany by

Jost's Engineering Company Limited

JUNGHEINRICH

60 Sir Phirozeshah Mehta Road Mumbai 400 001,
 Phone: 22661150, Fax: 22661951
 E-mail: jostsho@josts.in, Web site: www.josts.com

Sales Offices : C-7 Wagle Industrial Estate Road 12
 Thane 400 604 Phone : 25833974, 25821727/46/48/2083
 Fax : 25823478 E-mail: salesthane@josts.in

Bangalore: 080-22263707, Baroda 0265-2351642, Chennai : 044-26268536,
 Kolkata 033-22482257 New Delhi : 011- 29839446 Pune: 020-25436601, Secunderabad : 040-27714934