

EJB 15/17

Electric Pedestrian Operated Stacker (1500 / 1700 Kg.)



- MOSFET programmable stepless speed controller with diagnostic feature and heavy duty contactors.
- Wide range of capacities and lift heights up to 6300 mm.
- High visibility mast for trouble free operation.

The Josts electric pedestrian stacker, type EJB, has been designed specially for flexible handling of palletised loads for increased performance at great lift heights with high residual capacities as well as long usage times. It is ideally used for closed and other types of pallets, where the support straddle cannot be taken underneath the pallets. Due to its widened straddle arms, the fork can be lowered almost to the ground level so that it can be used to pick up any type of pallets.

Operator Area : The low hinged handle provide ample scope for greater maneuverability. The safety and emergency stop buttons provide maximum safety for the operator. The centrally mounted steering tiller head enables the operator to position the equipment and guide the straddle smoothly on either side of the pallets.

Drive : Powerful 1.5 Kw high performance Series / SEPEX motor of 1 hour rating with high over load capacity efficiently drives a low noise, two stage compact gear unit mounted directly on to the drive wheel and provides excellent traction with low steering forces.

Drive Control : Microprocessor based MOSFET controller provide smooth and stepless control of speed and acceleration. It also helps in obtaining fault diagnostic information quickly and easily. The high life cycle contactors used in the controller circuit enhances dependability and productivity. The controller can also enable dual setting for different speed limits in SEPEX drive motor (optional).

Chassis : Robust steel construction with wider straddle contributes to inherent stability and also permits high residual capacities at various lift heights. Various inner straddle width configurations are available depending on the pallets handled.

Wheels : All wheels (Drive wheel $\varnothing 230 \times 85$ mm wide, load wheels $\varnothing 100 \times 50$ mm) are made of polyurethane material as standard. These enable noiseless smooth ride over variety of surfaces and cause less damage to expensive flooring. The tandem load wheel configuration ensures smooth roll over with continuous contact on the floor and enables easy negotiation over small bumps.

Tiller Head : Multi-function tiller head with ergonomically arranged operating elements for travel, lift, lowering and horn at finger tips provide highest operator comfort and safety. It also has a belly button that provides additional safety in case of emergencies.

Steering : The tiller control handle configuration enable easy and effortless steering in both stand-on as well as pedestrian mode. Steering lock at 90° on either side and can be operated only in limited range of handle inclinations comfortable to operator. This provides additional operational safety.

Brake : Electro-magnetic disc brake with hard wearing, asbestos free liner provides quick braking. When the handle is close to vertical or horizontal position, the brake becomes operational with simultaneous power cut-off.

Hydraulics : Compact power pack unit with high pressure pump driven by 3.0 Kw sturdy Series / Compound wound motor forms the heart of hydraulic system which enables smooth and efficient lifting and lowering operations to various stacking heights. During stacking and retrieval, the operator can operate lifting / lowering push button on control head without leaving the driving position.

High Visibility Mast : The truck is fitted with either a three stage mast (PD) with high free lift or two stage mast (PT) as a standard and can provide lift up to 6300 mm. The construction of mast is such that it provides excellent visibility of the load carriage / fork during all operations. The PD mast configuration is suitable for operation within containers.

Carriage & Forks : Robust steel fabricated carriage with forged adjustable solid forks ensure durable service. The individual moving components like pulley, chain and bearings are accurately selected, manufactured and fitted for trouble free performance. The bearings in the carriage assembly and the inner masts enable jerk free smooth vertical movements ensuring safe and stable lift of the load. The fork ends are suitably tapered to provide better maneuverability while turning in confined spaces and smooth entry into pallets.

Safety : The truck is equipped with lowering brake valve for gradual lowering, automatic lift cut off at 80% battery discharge condition for enhanced safety and anti-collision switch on tiller head. The hydraulic circuit has safety feature like hose burst valve, pressure relief valves and non return valves. The controller can also be set for dual travel speed limit (optional) for creep speed setting while stacking and retrieving.

Servicing : The modular service friendly design with easily removable front cover provides easy access to all components for servicing thus saving valuable time during maintenance.

Battery : 24V / 195Ah (standard) or 330Ah (optional) traction battery ensure steady power supply and trouble free operations with proper battery maintenance.

Charger : 24V / 28Amp (standard) or 24V / 42Amp (for optional 330 Ah battery) microprocessor controlled charger or timer controlled charger can be provided as per customer requirement.

Electric Pedestrian Operated Stacker (1500 / 1700 Kg.)

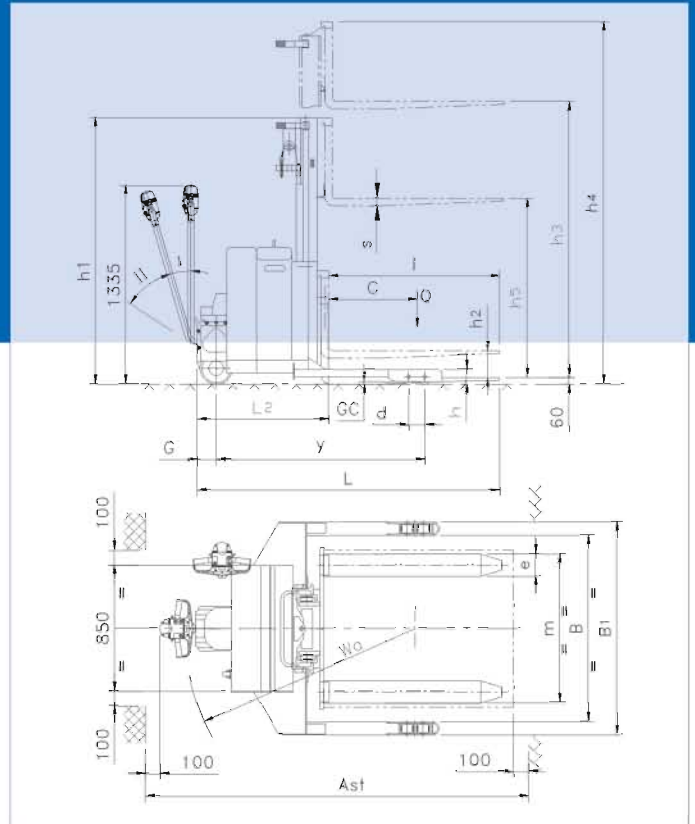
Performance Data

Capacity	kg	1500	1700
Travel Speed :			
Without load	km/h	4.5	4.5
With rated load	km/h	3.0	2.7
Lifting speed with PT mast :			
Without load	cm/s	13	13
With rated load	cm/s	9.0	7.0
Max. gradient performance :			
Without load	%	16	16
With rated load	%	8.0	7.0
Service weight with PT mast and 195 Ah traction battery	kg	1050	1150

Technical Data

Q - Capacity	kg	1500	1700
C - Load Centre	mm	600	600
y - Wheel base	mm	1365	1365
B - Width between straddles	mm	1250	1250
B1 - Overall width	mm	1400	1400
L2 - Length to fork upright with PT mast	mm	980	980
Length to fork upright with PD mast	mm	1005	1005
L - Truck length with PT mast	mm	2130	2130
Length to fork upright with PD mast	mm	2155	2155
m - Width across forks (adjustable)	mm	1000	1000
h - Height of straddle	mm	100	100
s - Fork thickness	mm	40	50
e - Fork width	mm	100	100
Wa - Turning radius during maneuvering	mm	1550	1550
l - Standard fork length	mm	1150	1150
d - Distance between tandem load wheels	mm	108	108
G - Front over hang	mm	185	185
GC - Straddle ground clearance	mm	50	30

* Customised straddle inner-width can be made available on request



- h1 – Closed mast height
- h2 – Normal free lift
- h3 – Lift
- h4 – Extended mast height
- h5 – High free lift
- h – Fork lower height

Standard Mast Designs (mm)

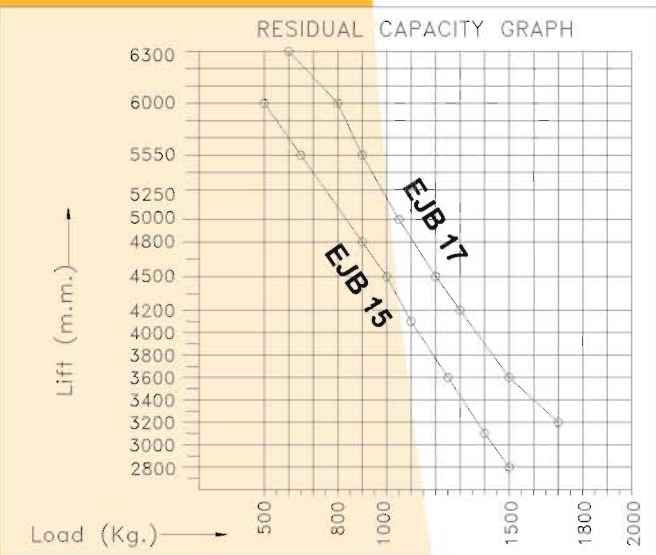
2 – Stage Mast (PT) EJB – 15/17				1 – Stage Mast (SX) EJB – 15/17		
h1	h3	h2	h4	h1	h3	h4
1950	2800	100	3450	1300	800	1450
2300	3500	100	4150	1900	1400	2050
2650	4200	100	4850	2000	1500	2150

3 – Stage Mast (PD) EJB – 15/17				3 – Stage Mast (PD) EJB – 15/17			
h1	h3	h5	h4	h1	h3	h5	h4
1750	3600	1250	4250	2350	5250	1800	5900
1950	4200	1450	4850	2650	6000	2100	6650
2100	4500	1550	5150	2850	6300	2300	6950

Note : Non standard lift height may be available on request

Working Aisle Width Ast. (mm)

Pallet Size cxb	Position	Ast * Incl. 200 mm safety clearance
1000 x 1200	Lengthways	2570
1200 x 1200	Lengthways	2610



- With 330Ah battery, residual capacity up to 5250 mm lift height will increase by 75 Kg, but not exceeding the basic capacity.
- The residual capacity beyond 5250 mm lift height is with 330Ah battery.

• For any special requirement, please contact Jost's marketing department. • Dimensions indicated here are subject to variations of ± 20mm and performance within ± 10%. • Right to make changes and technical improvement reserved.

Manufactured Under Licence From **JUNGHEINRICH**, Germany By :

Jost's Engineering Company Limited

C-7 Wagle Industrial Estate, Road No. 12, Thane - 400 604. Maharashtra. INDIA.

T.: +91.22.6117 4000 / 2582 1727 F.: +91.22.6117 4020 E.: infomhe@josts.in

Bengaluru : +91.80.2226 3707 / 22263708 Chennai : +91.44. 2626 8536 / 2628 8407

Delhi : +91.11.4567 6000 / 14 Kolkata : +91.33.2242 9510 / 4008 1242 Pune : +91.20.2543 4350 / 90

Secunderabad : +91.40.2771 4934 / 44 / 54 Vadodara : +91.265.2351 642